

# FAULT CLEAR<sup>®</sup>

Triple-Single Auto Recloser



## ► Working directly with SEL controller

FAULT CLEAR<sup>®</sup> works directly with “SEL-651R-2” and **32-pin** control cable for three-phase/triple-single application and “SEL-351RS” controller with **10-pin** control cable for single-phase application.

## ► Pole-ready design

FAULT CLEAR<sup>®</sup> is also ready to “pole-ready” design for **easy installation at the site**, which is included lightning arresters, NEMA pads, PTs for the controller.

## ► Long-term reliability

FAULT CLEAR<sup>®</sup> is **designed to have a long service life by selecting reliable materials and parts**.

Bushings are made of hydrophobic cycloaliphatic epoxy (HCEP) with silicon sheds for high UV environments.

## ► 10-year warranty\*

FAULT CLEAR<sup>®</sup> is designed to have a long service life by selecting reliable materials and parts, which allows us to offer **10-year warranty at no extra cost**.

\*Limited to Reclosers sold in the United States.

| Item  | Coming soon...                               |               |    |
|---|--|---------------|----|
|   | 27 kV  | 38 kV         |    |
| Rated voltage [kV]  | 27   | 38            |    |
| Rated frequency [Hz]                                      | 60   |               |    |
| Rated current [A]   | 800  |               |    |
| Overload current (8hours) [A]                             | 960  |               |    |
| Rated power frequency withstand voltage [kV]              | Dry  | 60            | 70 |
|   | Wet  | 50            | 70 |
| Mechanical endurance [operations]                         | 10,000                                       |               |    |
| Rated interrupting current [kA]                           | 16   |               |    |
| Rated short-circuit making current [ kA <sub>peak</sub> ] | 41.6   |               |    |
| Duty cycle [operations]                                   | 116  |               |    |
| Rated short time withstand current                        | 16 kA <sub>r.m.s.</sub> – 3 s                |               |    |
| Rated lightning impulse withstand voltage [kV]            | 150  | 170           |    |
| Rated cable charging current [A]                          | 25   | 40            |    |
| Rated line charging current [A]                           | 5  |               |    |
| Creepage distance [inches (mm)]                           | 43.7 (1,110)                                 | 49.09 (1,247) |    |
| Pollution level   | Class IV: Very heavy (IEC 815)               |               |    |
| Operation mechanism                                       | Auto open and close; Manual open and lockout |               |    |
| Insulation medium   | Solid dielectric                             |               |    |
| Arc extinction medium                                     | Vacuum                                       |               |    |
| Bushing materials   | Silicon and HCEP                             |               |    |
| Standard operating sequence                               | O – 0.5 s – CO – 2 s – CO – 5 s – CO         |               |    |
| Ambient temperature [°F(°C)]                              | -40 to +140 (-40 to +60)                     |               |    |

\* Design and specifications are subject to change without notice.

\* 27kV recloser is applied to 15kV applications.

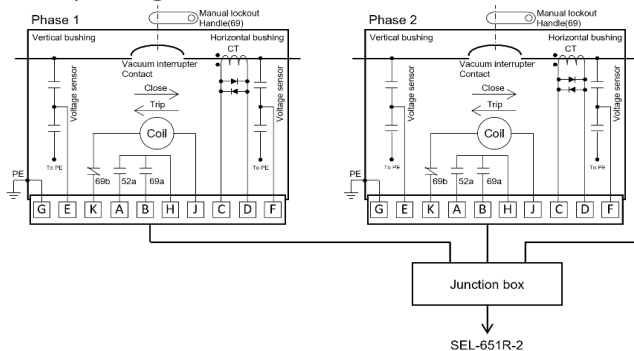


## Options

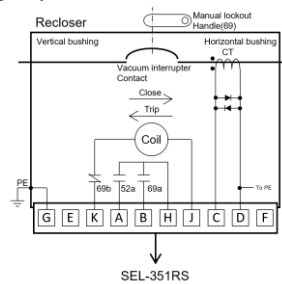
- 2- or 4-hole NEMA pad or clamp type connector
- Animal/bird guard
- Power transformer for controller
- Lightning arrester
- Recloser bracket [Center-pole] [Alley-arm]

# Circuit diagram

## ▼ Triple-single recloser



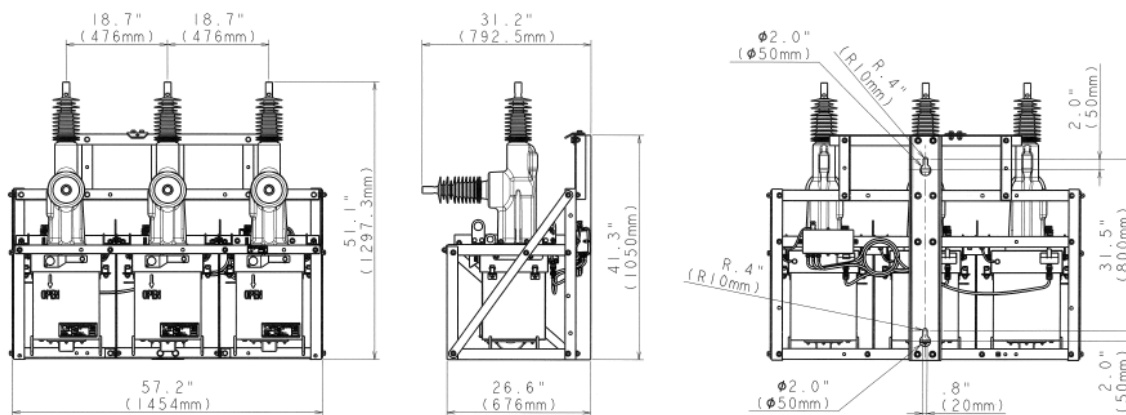
## ▼ Single-phase recloser



# Dimensions

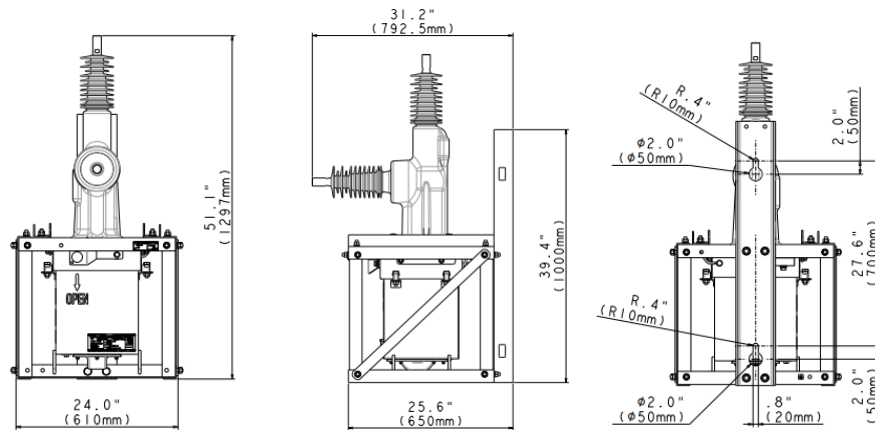
## Triple-single: VBN20-A3-YQ1

Weight: 518 lbs (235 kg)



## Single-phase: VBN20-A1-YF

Weight: 189lbs (86 kg)



## Applicable standard

FAULT CLEAR® is designed and tested in accordance with IEEE C37.60/IEC62271-111:2012. The certified test was carried out at Powertech lab.

Report ID: PL-02215 REP 1, PL-02215 REP 2



## Contact



**Togami Electric Mfg. Co., Ltd.**

1-1 Ohtakara-Kitamachi Saga, 840-0802, Japan  
 TEL: +81-952-25-4131 FAX: +81-952-24-6240  
 E-mail: int.div@togami-elec.co.jp

Scan me!



For More Info.

**FAULT CLEAR®**  
 Triple-Single Auto Recloser

