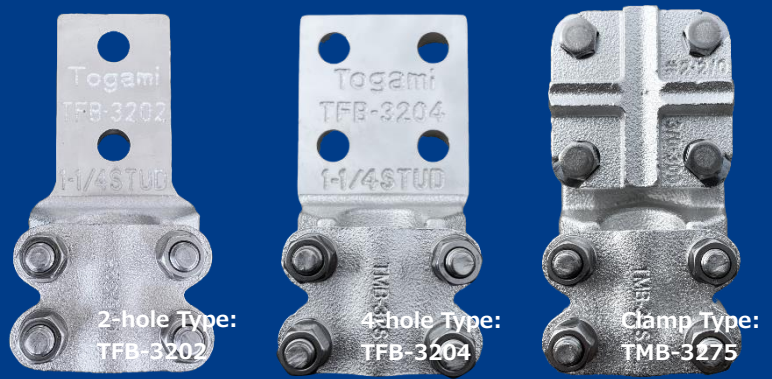




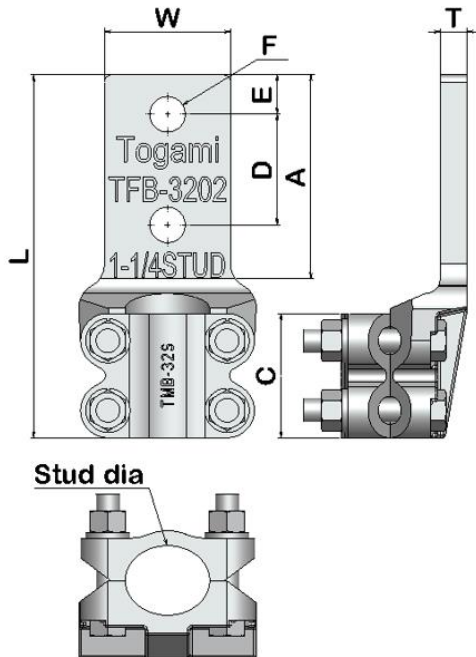
Bronze Alloy Terminal Connectors



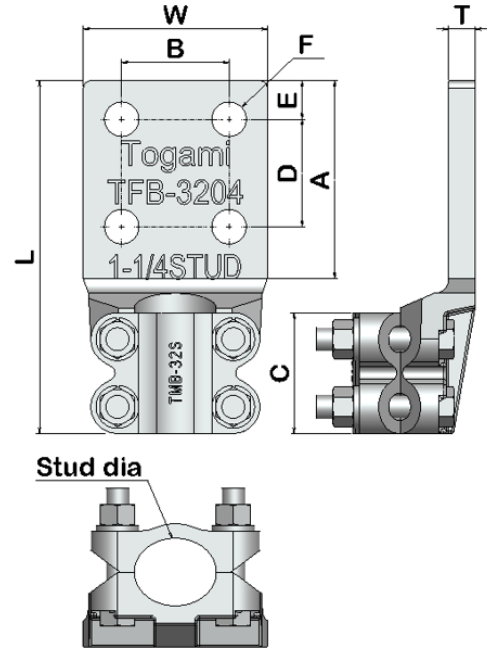
We lined up three (3) types of Bronze Alloy Terminal Connectors: 2-hole type, 4-hole type, and clamp type. These connectors offer unparalleled durability and reliability, making them essential components for the switchgears.

Our 2-hole and 4-hole type connectors are designed to comply with the dimensional requirements (North American Dimensional Standards) for bolt holes as defined by ANSI/NEMA CC 1-2018.

2-hole Type: TFB-3202



4-hole Type: TFB-3204



Stud Dia. range		Bolt size		Weight lbs. (kg)			
Φ1-1/4		3/8 inch		2.64 (1.2)			
Dimensions inches (mm)							
L	W	A	D	C	E	F	T
5.75 (146)	2.00 (51)	3.23 (82)	1.77 (45)	1.96 (50)	0.63 (16)	Φ0.56 (Φ14.3)	0.43 (11)

NOTE) Fasteners for "hole F" are not included.

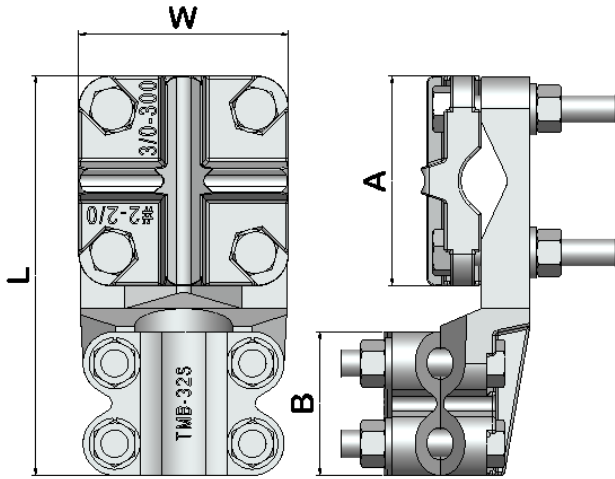
Item	Material
Raw material	Bronze alloy
Plating	Tin plating

Stud Dia. range		Bolt size		Weight lbs. (kg)			
Φ1-1/4		3/8 inch		3.08 (1.4)			
Dimensions inches (mm)							
L	W	A	B, D	C	E	F	T
5.75 (146)	3.00 (76)	3.23 (82)	1.77 (45)	1.96 (50)	0.63 (16)	Φ0.56 (Φ14.3)	0.43 (11)

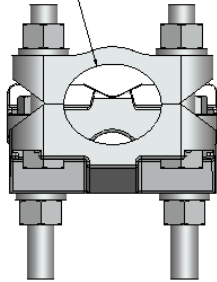
NOTE) Fasteners for "hole F" are not included.

Item	Material
Raw material	Bronze alloy
Plating	Tin plating

Clamp Type: TMB-3275



Stud dia



Stud Dia. range	Bolt size	Weight lbs. (kg)	
Φ1-1/4	3/8 inch	4.63 (2.1)	
Dimensions inches (mm)			
L	W	A	B
5.47 (139)	2.87 (73)	2.87 (73)	1.96 (50)
Item		Material	
Raw material		Bronze alloy	
Plating		Tin plating	

Conductor range	
#2 STR.- 750 MCM	
Small groove1:	#2 STR.-2/0
Small groove2:	3/0-300 MCM
Large groove1:	350-500 MCM
Large groove2:	600-750 MCM

◆ ALL IN ONE Reversible Cable Clamping Plate

The cable clamping plate of the connector is reversible and can accommodate a wide range of wire gauges.

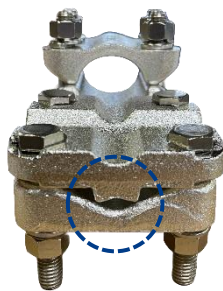
Front side



Conductor size
#2 STR.-2/0
and 3/0-300 MCM



Small groove1
#2 STR.-2/0



Small groove2
3/0-300 MCM

Back side



Conductor size
350-500
and 600-750 MCM

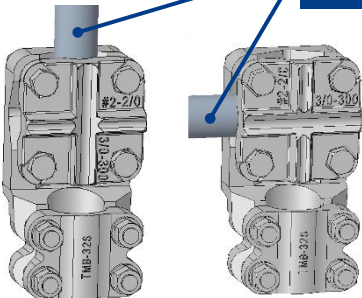


Large groove1
350-500 MCM



Large groove2
600-750 MCM

Ex.) 750 MCM
Aluminum conductor



* The conductor can be connected on both vertical and horizontal sides.

Note: Use the appropriate compound when connecting the aluminum conductor to the connector.

Contact

Togami

Togami Electric Mfg. Co., Ltd.

1-1 Ohtakara-Kitamachi Saga, 840-0802, Japan
TEL: +81-952-25-4131 FAX: +81-952-24-6240
E-mail: int.div@togami-elec.co.jp

Scan me!



For More Info.

FAULT CLEAR®

Triple-Single Auto Recloser

