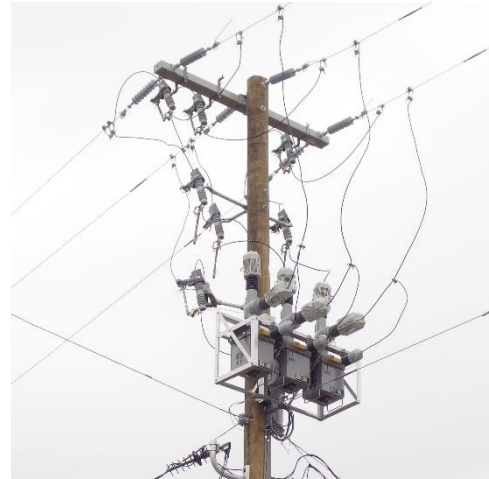


# FAULT CLEAR®

## SOLID DIELECTRIC AUTO RECLOSER



### FEATURES

#### INTERCHANGEABILITY & COMPATIBILITY

- FAULT CLEAR® is designed to connect to SEL-651R2 controller with 32-pin control cable for three-phase/triple-single application and SEL-351RS controller with 10-pin control cable for single-phase application.
- For three-phase operation, any single-phase recloser can be used as one of three-phase recloser in case any phase fails.

#### ENHANCING RELIABILITY AND SAFETY IN GRID OPERATION

- FAULT CLEAR® consists of three independent mechanisms, which enables to operate by phase.
- Single-phase operation in three-phase system enables to increase the reliability in grid operation.  
Three modes of mechanical operation:
  - 1) Single-phase trip / single-phase lockout
  - 2) Single-phase trip / three-phase lockout
  - 3) Three-phase trip / three-phase lockout
- FAULT CLEAR® is designed and tested according to IEEE C37.60 / IEC 62271-111 standard.

#### CONSTRUCTION

- FAULT CLEAR® (for three-phase operation) has 6 voltage sensors and 3 current sensors built in. Sensor accuracy is 1% or better.
- FAULT CLEAR® is designed to have long service life by selecting reliable materials and parts, which enables to offer a 10-year warranty.
- Bushings are made by hydrophobic cycloaliphatic epoxy (HCEP) with silicon sheds for high UV environment and qualify the “very heavy” (IEC815:Class IV) pollution level according to the IEC standard.
- FAULT CLEAR® frame and mounting bracket are made from aluminum for the use of high UV and salt-spray environment.
- Colored position indicators are light reflective materials.
- Standard packing is reinforced corrugated box with wooden pallet for easy unpacking.

\* Design and specifications are subject to change without notice.

# FAULT CLEAR<sup>®</sup>

## TECHNICAL SPECIFICATIONS

(triple-single and single-phase)

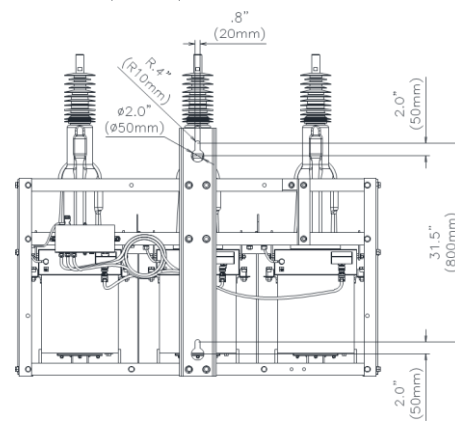
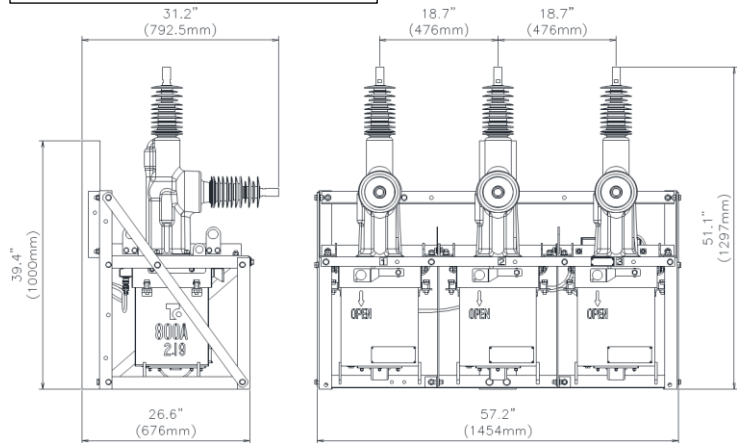
Item	Ratings
Rated voltage	27kV
Rated current	800A (continuous); 960A (8hrs @ 20°C)
Rated frequency	60Hz
Rated power frequency withstand voltage	60kV
Rated lightning impulse withstand voltage	150kV
Rated short time withstand current	16kA r.m.s. – 3 sec.
Rated short-circuit breaking current	16kA r.m.s.
Rated short-circuit making current	41.6kA peak
Operation mechanism	Auto open & close; manual open & lockout
Insulation medium	Solid dielectric
Arc extinction medium	Vacuum
Current sensor	Ratio 1,000:1; built in solid dielectric
Voltage sensor	Ratio 10,000:1; built in sold dielectric; 1 on each source side & load side per phase
Standard	IEEE C37.60/IEC 62271-111: 2012 Ed. 2.0
Pollution level	Very heavy (IEC 815: Class IV)
Creepage distance	1,110 mm
Bushing materials	Silicone and HCEP
Duty cycle	116 operations
Mechanical endurance	10,000 operations

### OPTIONS (available upon request)

- Terminal lugs (2- or 4-hole NEMA pads)
- Wildlife guards
- Lightning arresters

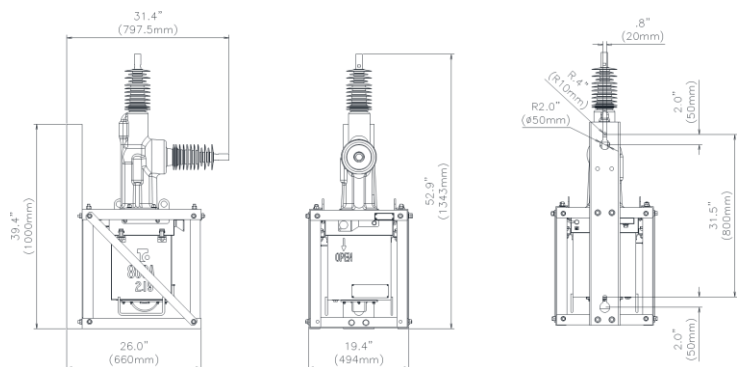
## CONSTRUCTION

Triple-single: VBN20-A3-Y



518lbs (235kg)

Single-phase: VBN20-A1-YQ1



183lbs (83kg)

Contact in the U.S.A.

### TOGAMI ELECTRIC MFG. CO., LTD.

1-1 Ohtakara-Kitamachi, Saga 840-0802 JAPAN  
 TEL +81-952-25-4131  
 E-mail [global.info@togami-elec.co.jp](mailto:global.info@togami-elec.co.jp)  
<https://www.togami-elec.co.jp/en/>

### SUN-WA TECHNOS AMERICA, INC.

1051 Perimeter Drive, Suite 625, Schaumburg, IL 60173  
 TEL (847) 969-0081  
 FAX (847) 312-653  
<http://www.sunwaus.com/>

\* Design and specifications are subject to change without notice.